

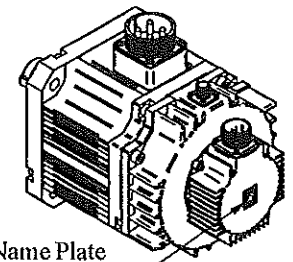
Model: JSMA-PIH30ABKB

No.	Item	Symbol	Unit	Specification	No.	Item	Symbol	Unit	Specification
1	Drive	-	-	3 ϕ 220 VAC	13	Rotor Inertia	Jm	kg-cm ²	42.36 \pm 10%
2	Cooling Method	-	-	Totally Enclosed	14	Rated Power Rate	Q-R	Kw/s	86.12
3	Exciting Method	-	-	Permanent Magnet	15	Resistance	Ra	Ω	0.275 \pm 10%/2 ϕ
4	Resolution	-	-	2500 C/T	16	Inductance	L	mH	6.8 \pm 10% / 2 ϕ
5	Rated Output	P-R	W	3000	17	Mech. Time Constant	Tm	ms	1.12 \pm 10%
6	Rated Torque	T-R	N-m	19.1	18	Elect. Time Constant	Te	ms	24.69 \pm 10%
7	Max. Torque	T-max	N-m	47.75	19	Insulation Class	-	-	Class F
8	Rated Speed	N-R	rpm	1500	20	Operation Temp.	T	$^{\circ}$ C	0-40
9	Rated Current	I-R	A	16	21	Operation Humd.	RH	%	<80
10	Max. Current	I-max	A	40	22	Storage Temp.	T	$^{\circ}$ C	-20 $^{\circ}$ ~60 $^{\circ}$
11	Torque Constant	Kt	N-m/A	1.19 \pm 10%	23	Storage Humd.	RH	%	<80
12	Voltage Constant	Ke	V/krpm	79.3 \pm 10%	24	Weight	W	kgw	21.0

Pin	Signal
B	+5V
I	0V
A	A/U
C	\bar{A}/\bar{U}
H	B/V
D	\bar{B}/\bar{V}
G	Z/W
E	\bar{Z}/\bar{W}
F	FG

Pin	Signal
A	U
B	V
C	W
D	FG

Pin	Signal
A	0
B	24V
C	



Encoder Wiring

Motor Wiring

Brake Wiring

Name Plate for Notice

NOTE:
Motor to be IP67.
(excluding the shaft opening & connectors)



Do not Hammer!

Name Plate for Notice

AC SERVO MOTOR

Model: JSMA-PIH30ABKB

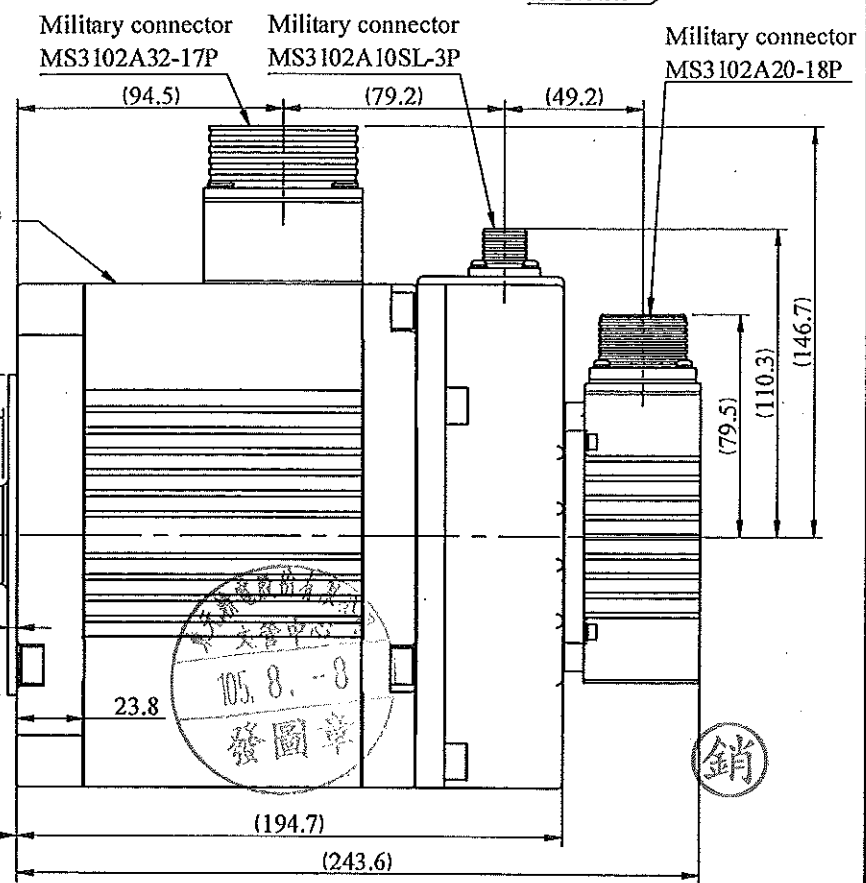
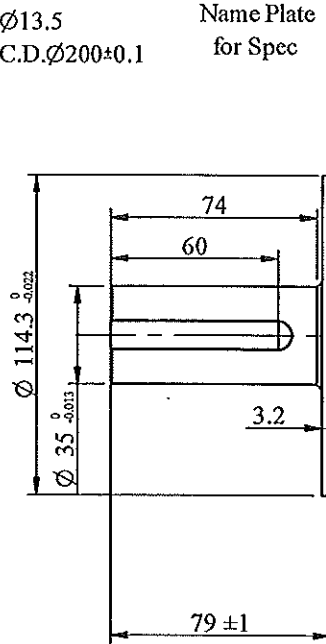
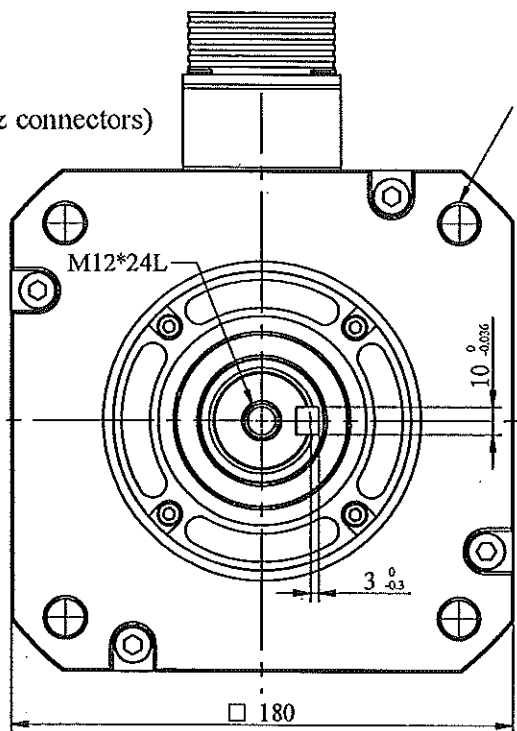
Pr. 3.0 KW ; Nr. 1500 rpm

Ir. 16 A , Tr. 19.1 N-m

NO.

TECO ELECTRIC MACHINERY CO., LTD.
MADE IN TAIWAN

Name Plate for Spec



STANDARD TOLERANCE				APVD	SCALE	UNIT	m m	NAME	Servo Motor Outline Drawing			
X	\pm 0.5			2	7/15/14				JSMA-PIH30ABKB			
.X	\pm 0.2			CHKD	Michelle	6-28-76	3RD .A.P		TITLE			
.XX	\pm 0.05			CHKD								
ANGLE	\pm 30'			DWN	Chase	06-24-'16						
MATERIAL		REV	DESCRIPTION	SIGNATURE	DATE					Dept. Design	DWG. NO.	D01B18302H3BTAD01